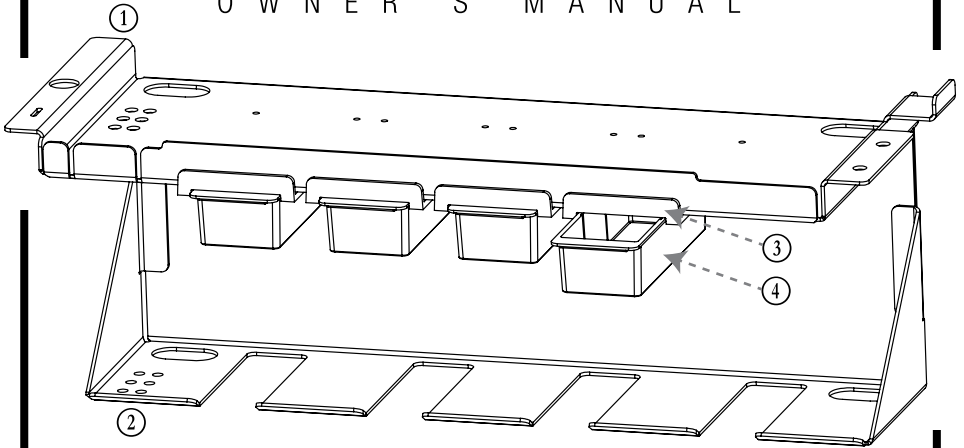


# Woodpeckers®

## CORDLESS DRILL STATION

OWNER'S MANUAL



If you think you're missing anything, email us at [mailroom@woodpeck.com](mailto:mailroom@woodpeck.com).  
You can also call us at 800-752-0725 from 9:00 a.m. to 5:00 p.m. EST Monday - Friday.

### DIAGRAM (QTY) PART NAME

- |    |   |                                    |
|----|---|------------------------------------|
| ①  | 1 | Cordless Drill Station Top Rack    |
| ②  | 1 | Cordless Drill Station Bottom Rack |
| ③  | 4 | Cubby Drawer Brackets              |
| ④  | 4 | Cubby Drawers                      |
| -- | 8 | Cubby Drawer Dividers              |

### HARDWARE BAG

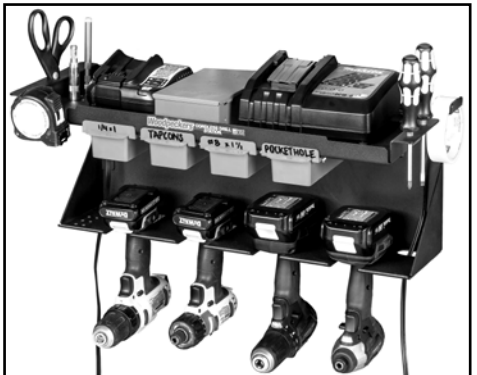
- |    |    |                             |
|----|----|-----------------------------|
| -- | 16 | Nylon-Insert Locknuts, 8-32 |
| -- | 2  | Lag Bolts, 1/4" x 1-1/2"    |



Scan the QR code above  
to watch the video  
or visit [woodpeck.com](http://woodpeck.com)  
under the video tab towards  
the bottom of the product page.



Example of Auto-Line Drill Guide & drill storage.



Example of drill & accessory storage.

1. Line up the holes on the Cubby Drawer Bracket (4) with the (4) Threaded Studs that are located on the under side of the Top Rack (1).

2. Secure the Cubby Drawer Bracket into place with (4) Nylon-Insert Locknuts. *Figure 1-a.*

3. Repeat for the remaining Cubby Drawer Brackets (**NOTE:** It is easier to leave the Cubby Drawers off until fully mounted). *Figure 1.*

4. Locate studs 16" apart and pre-drill (2) 3/32" holes where you want the Cordless Drill Station mounted.

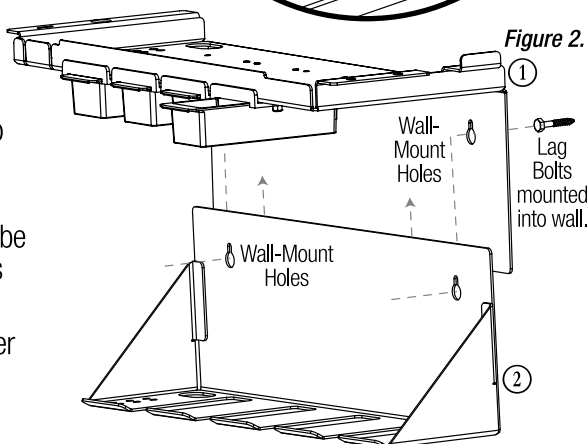
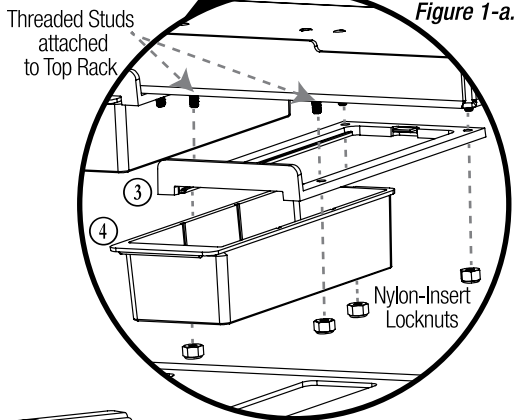
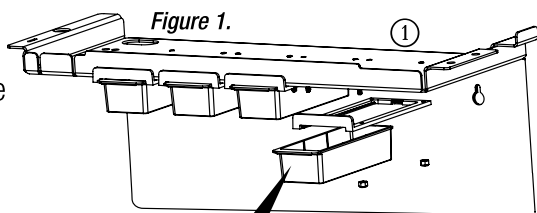
5. Drive the Lag Bolts partially into the pilot holes.

6. Slide the Top Rack (1) onto the Lag Bolts.

7. Slide the Bottom Rack (2) onto the Lag Bolts over the Top Rack. Tighten the Lag Bolts. *Figure 2.*

8. Slide the Cubby Drawers (4) into the slots on the Cubby Drawer Brackets.

- The Cubby Drawer Dividers can be installed inside the Cubby Drawers to divide up the drawer space.
- You can label each Cubby Drawer with a dry-erase marker. Wipe off and relabel when needed.



# Woodpeckers®

Woodpeckers, LLC Strongsville, Ohio

[woodpeck.com](http://woodpeck.com)

© 2021 Woodpeckers, LLC



[woodpeck.com](http://woodpeck.com)

**At Woodpeckers we are constantly reviewing & improving our tools. The most current version of our instruction manuals are always available to download/print at [woodpeck.com](http://woodpeck.com) via the tool's page.**

*(Located in the bottom section of the tool page under the "Additional Information" or "Instructions" tabs.)*



**Be the first to know all the new products & sales by subscribing to our eClub.**

*(Located at the top center of our webpage [woodpeck.com](http://woodpeck.com).)*



**Subscribe to our YouTube channel to stay up-to-date on all the latest tool tips & tricks.**



**Interact with us! Follow us on Facebook & Instagram!**



**WARNING!** This product can expose you to chemicals, including chromium, which is known to the State of California to cause cancer and birth defects or other reproductive harm. For more information go to [www.P65Warnings.ca.gov](http://www.P65Warnings.ca.gov)